

PRODUCT DATASHEET

Magnetic Track Light HD550-10W 4000K



Application

- Hotel
- Mall
- Supermarket
- Theater
- Shop

Benefits

- Flicker free
- Adjustable Angle, flexible light control
- Minimum Glare, more clear and comfortable
- High color rendering index, restore the true color of the object, show its beauty

Features

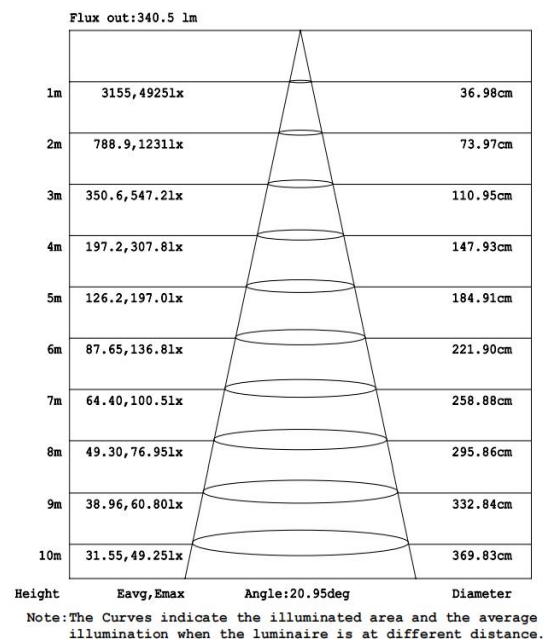
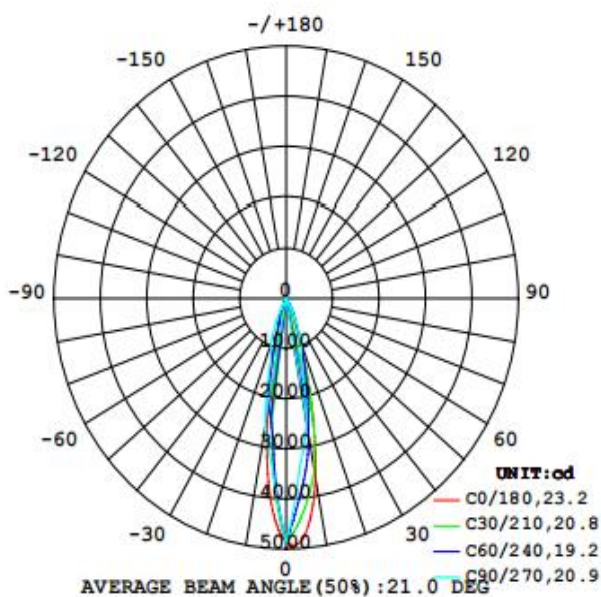
- Warranty 3 years
- High efficiency lens design, resulting in a clear edge of the soft spot
- Die-cast aluminum lamp body, good heat dissipation performance, protect the chip, extend the service life

Electrical Data

Nominal wattage (W)	10W
Nominal Voltage (V)	48V
Mains Frequency (Hz)	60
Nominal Current (mA)	191
Power Factor	1
Operating mode	Magnetic Track Driver

Photometrical data

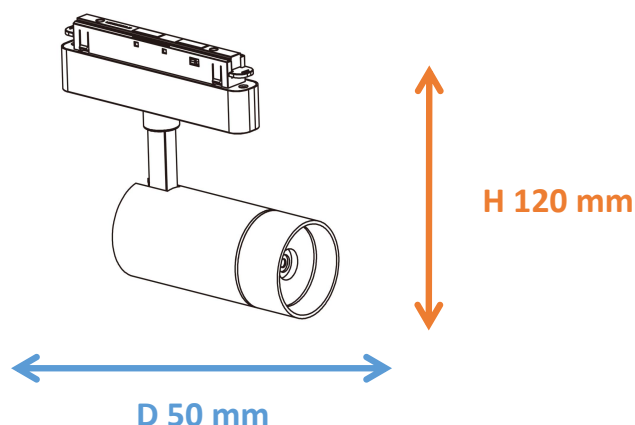
Luminous flux $\pm 10\%$ (lm)	893 lm
Luminous efficacy	97 lm/w
Color temperature	4000K
Light color (designation)	Natural White
Color rendering index Ra	≥ 90
Standard deviation of color matching	≤ 5 SDCM
Luminous intensity/cd	3909
Flickering	Flicker free
Beam angle	22 °



4000K

Dimensions & Weight

Diameter (mm)	50
Height (mm)	120
Product weight (g)	...



Material & Colors

Product color	Black
Housing color	Black
Body material	Aluminum
Cover material	PC
Mercury content	0.0 mg

Application & Mounting

Ambient temperature range	-20°C~+45 °C
Temperature range at storage	-20°C~+60 °C
Type of connection	Screwless terminal
Type of protection	IP20
Dimmable	No
Mounting type	Magnetic Track Mounted
Mounting location	Ceiling / Wall
Application environment	Indoor
Cut size (mm)	No
LED module replaceable	Not replaceable
With light source	Yes

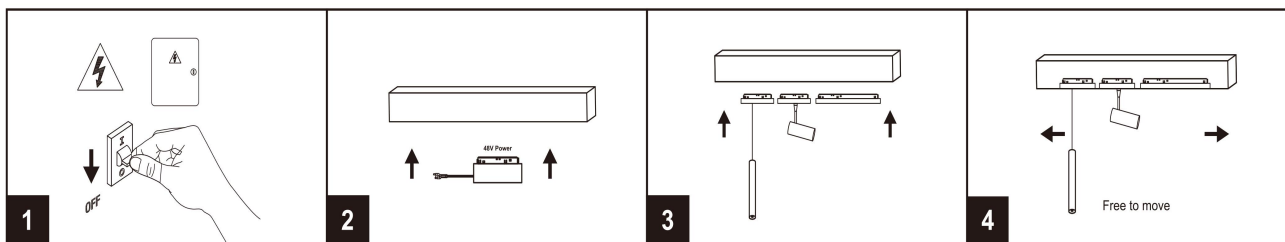
Certificates & Lifespan

Life (h)	30,000
Certificates	CB LVD EMC RoHS
Standards	ISO9001:2015

Logistical Data

Product code	Dimensions (L*W*H)	Pcs/ carton	G.W. kg	Volume CBM
HD550-10W	47*32*42.5 cm	30	...	0.06392

Installation Method



Disclaimer

Subject to change without notice. Errors and omission excepted. Always make sure to use the most recent release.