

PRODUCT DATASHEET

Magnetic spot Light
HF22Y-P30-14W 4000K



Application

- Hotel
- Mall
- Supermarket
- Theater
- Shop

Benefits

- Flicker free
- Adjustable Angle, flexible light control
- Minimum Glare, more clear and comfortable
- High color rendering index, restore the true color of the object, show its beauty

Features

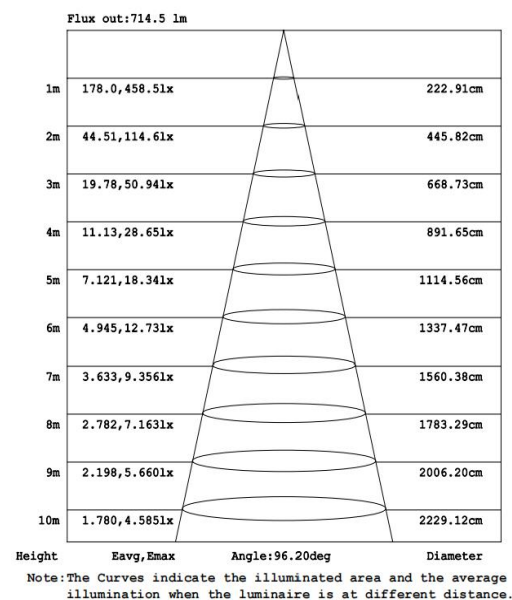
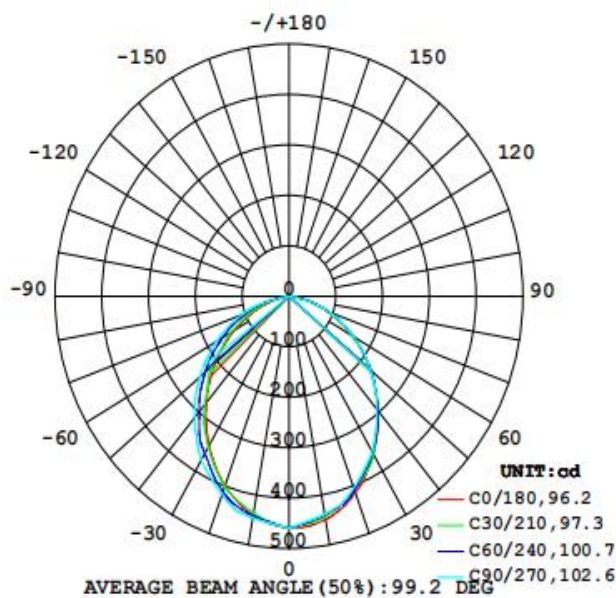
- Warranty 3 years
- High efficiency lens design, resulting in a clear edge of the soft spot
- Die-cast aluminum lamp body, good heat dissipation performance, protect the chip, extend the service life

Electrical Data

Nominal wattage (W)	14W
Nominal Voltage (V)	48
Mains Frequency (Hz)	50
Nominal Current (mA)	270
Power Factor	1
Operating mode	Magnetic Track Driver

Photometrical data

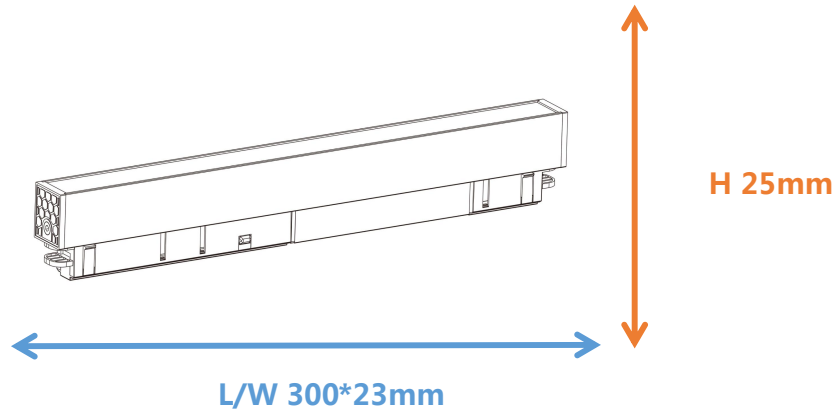
Luminous flux ±10% (lm)	1093 lm
Luminous efficacy	84 lm/w
Color temperature	4000K
Light color (designation)	Natural White
Color rendering index Ra	≥90
Standard deviation of color matching	≤5 SDCM
Luminous intensity/cd	459
Flickering	Flicker free
Beam angle	99 °



4000K

Dimensions & Weight

Diameter (mm)	300*23
Height (mm)	25
Product weight (g)	...



Material & Colors

Product color	Black
Housing color	Black
Body material	Aluminum
Cover material	PC
Mercury content	0.0 mg

Application & Mounting

Ambient temperature range	-20°C~+45 °C
Temperature range at storage	-20°C~+60 °C
Type of connection	Screwless terminal
Type of protection	IP20
Dimmable	No
Mounting type	Magnetic Track Mounted
Mounting location	Ceiling / Wall
Application environment	Indoor
Cut size (mm)	No
LED module replaceable	Not replaceable
With light source	Yes

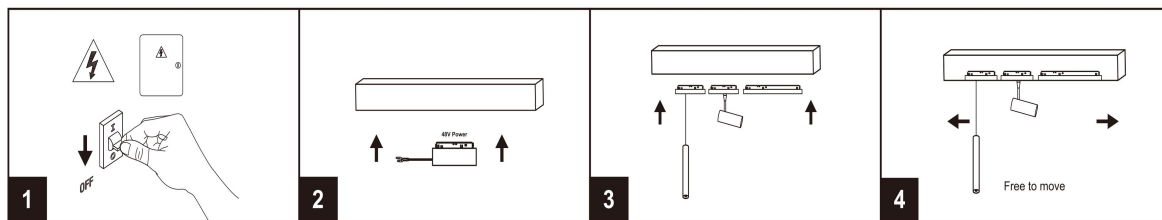
Certificates & Lifespan

Life (h)	30,000
Certificates	CB LVD EMC RoHS
Standards	ISO9001:2015

Logistical Data

Product code	Dimensions (L*W*H)	Pcs/ carton	G.W. kg	Volume CBM
HF22Y-P30-14W	32.5*27*32 cm	50	...	0.028

Installation Method



Disclaimer

Subject to change without notice. Errors and omission excepted. Always make sure to use the most recent release.