

PRODUCT DATASHEET

Surface mounted Panel light HYD-105CR-60W-6500K



Application

- Office
- Kitchen
- Rest room
- Corridor
- Shop

Benefits

- Flicker free.
- The light is soft and bright
- Drive stable, safe and reliable
- High light transmission mask to ensure uniform light

Features

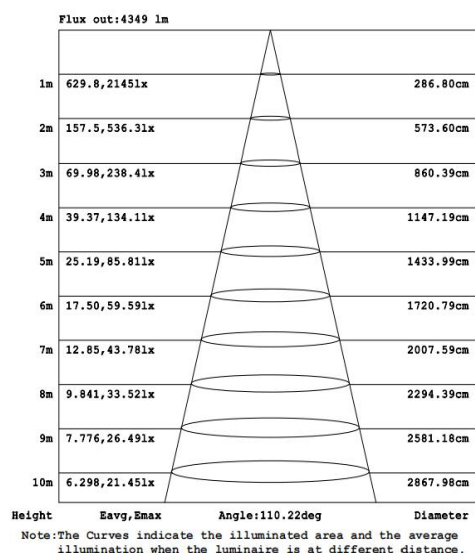
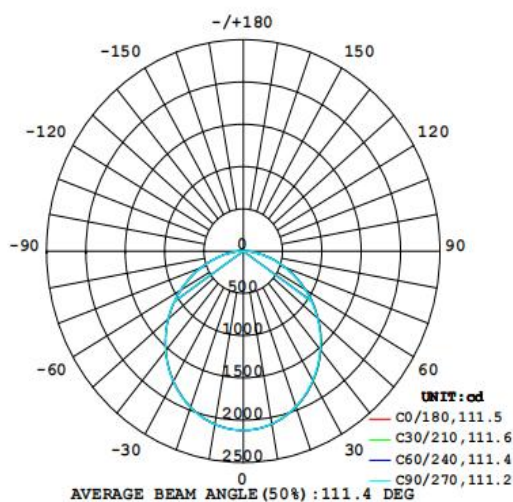
- Efficient and durable
- Easy and quick installation
- Die-cast aluminum body for better heat dissipation, anti-corrosion, and easy maintain

Electrical Data

Nominal wattage (W)	60W
Nominal Voltage (V)	220-240 V
Mains Frequency (Hz)	50
Nominal Current (mA)	282
LED Driver Current (mA)	1500
LED Driver Voltage (VDC)	24-42
LED Driver Efficiency (%)	...
Power Factor λ	0.85C-0.95
Total harmonic distortion (%)	...
Operating mode	External LED driver

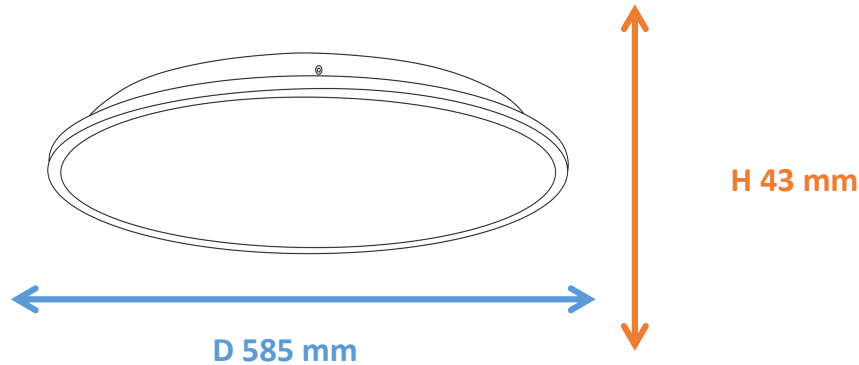
Photometrical data

Luminous flux ±10% (lm)	5987 lm
Luminous efficacy	100 lm/w
Color temperature	6500K
Light color (designation)	Cold White
Color rendering index Ra	≥80
Standard deviation of color matching	≤5 SDCM
Luminous intensity/cd	2118
Flickering	Flicker free
Beam angle	111 °



Dimensions & Weight

Diameter (mm)	585
Height (mm)	43
Product weight (g)	3203



Material & Colors

Product color	Black
Housing color	Black
Body material	Aluminum
Cover material	PMMA
Mercury content	0.0 mg

Application & Mounting

Ambient temperature range	-10°C~+40 °C
Temperature range at storage	-10°C~+40 °C
Type of connection	Screw terminal
Type of protection	IP20
Dimmable	No
Mounting type	Surface mounted
Mounting location	Ceiling
Application environment	Indoor
Cut size (mm)	No
LED module replaceable	Not replaceable
With light source	Yes

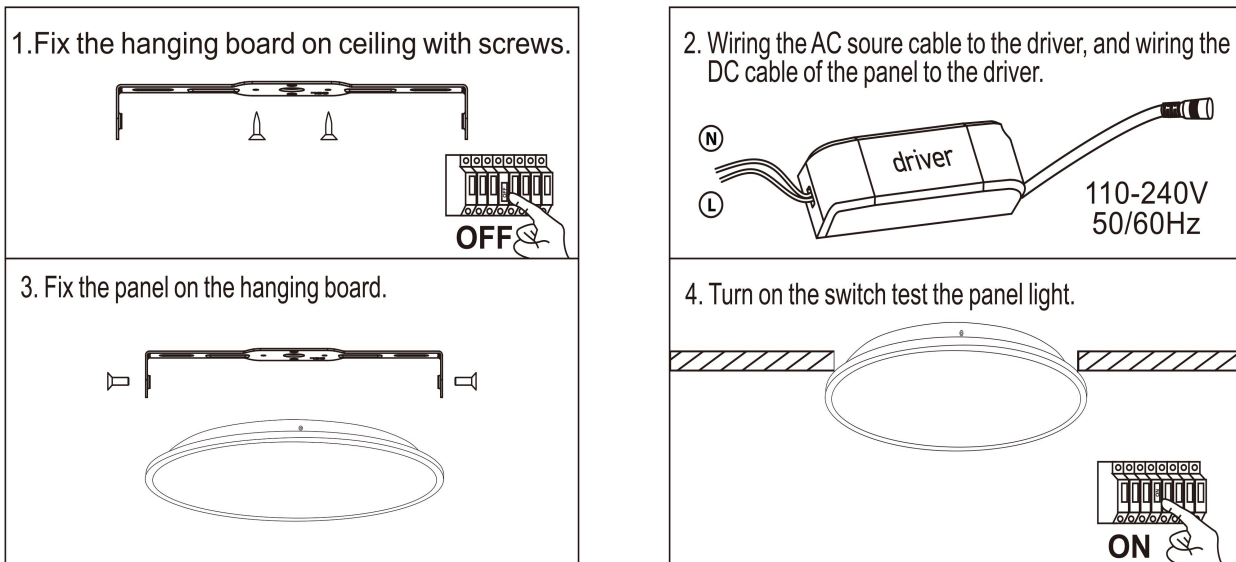
Certificates & Lifespan

Life (h)	50,000
Certificates	CB LVD EMC RoHS
Standards	ISO9001:2015

Logistical Data

Product code	Dimensions (L*W*H)	Pcs/ carton	G.W. kg	Volume CBM
HYD-105CR-60W	65.5*18.5*66 cm	3	...	0.07998

Installation Method



Disclaimer

Subject to change without notice. Errors and omission excepted. Always make sure to use the most recent release