

PRODUCT DATASHEET

Surface mounted Panel light
HYD-122CS-15W 6500K



Application

- Office
- Kitchen
- Rest room
- Corridor
- Shop

Benefits

- The light is soft and bright
- Drive stable, safe and reliable
- High light transmission mask to ensure uniform light

Features

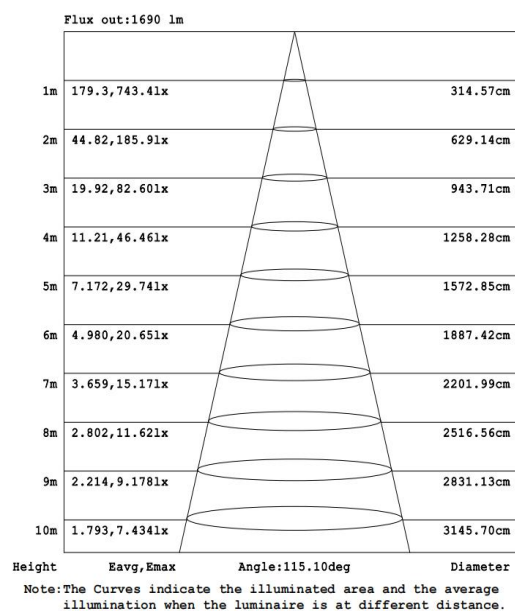
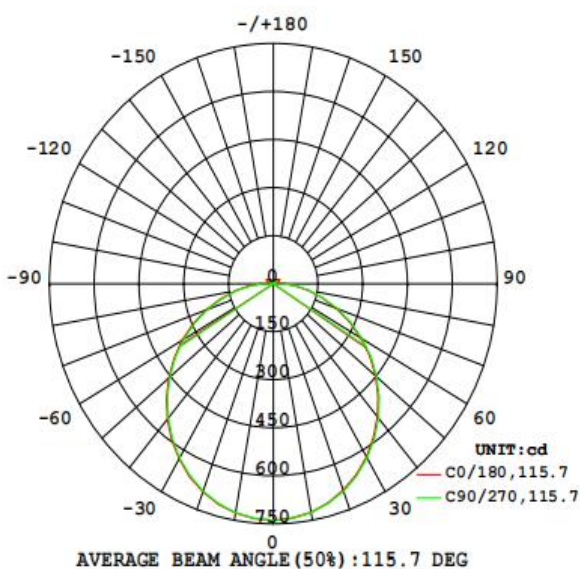
- Efficient and durable
- Easy and quick installation
- Light body thin design, reduce space occupancy
- Die-cast aluminum body for better heat dissipation, anti-corrosion, and easy maintain

Electrical Data

Nominal wattage (W)	15W
Nominal Voltage (V)	100-240
Mains Frequency (Hz)	50
Nominal Current (mA)	71
LED Driver Current (mA)	400
LED Driver Voltage (V)	30-40
LED Driver Efficiency (%)	...
Power Factor λ	0.9
Total harmonic distortion (%)	...
Operating mode	External LED driver

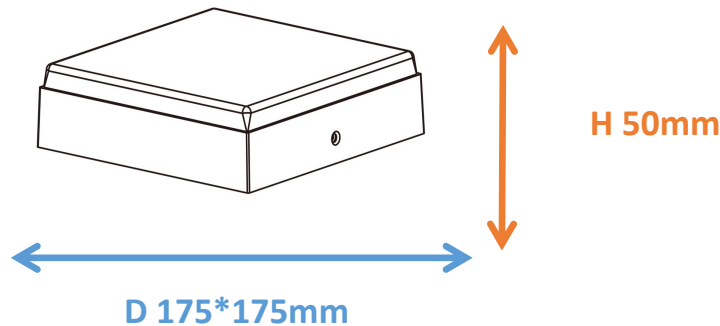
Photometrical data

Luminous flux ±10% (lm)	2315 lm
Luminous efficacy	116 lm/w
Color temperature	6500K
Light color (designation)	Cold White
Color rendering index Ra	≥80
Standard deviation of color matching	≤5 SDCM
Luminous intensity/cd	739
Flickering	Flicker
Beam angle	116 °



Dimensions & Weight

Diameter (mm)	175*175
Height (mm)	50
Product weight (g)	493



Material & Colors

Product color	All White
Housing color	White
Body material	Aluminum
Cover material	PC
Mercury content	0.0 mg

Application & Mounting

Ambient temperature range	-20-45 °C
Temperature range at storage	-25-60 °C
Type of connection	Screw terminal
Type of protection	IP20
Dimmable	175*175*50 mm
Mounting type	Surface mounted
Mounting location	Ceiling
Application environment	Indoor
Cut size (mm)	No
LED module replaceable	Not replaceable
With light source	Yes

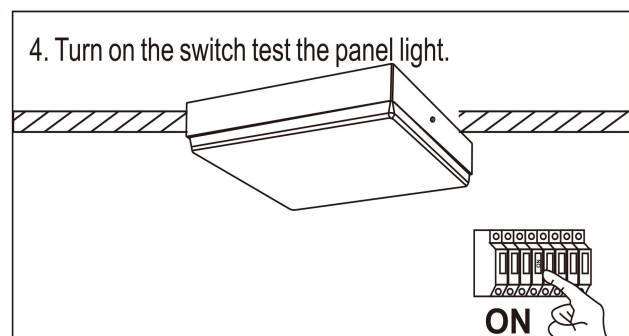
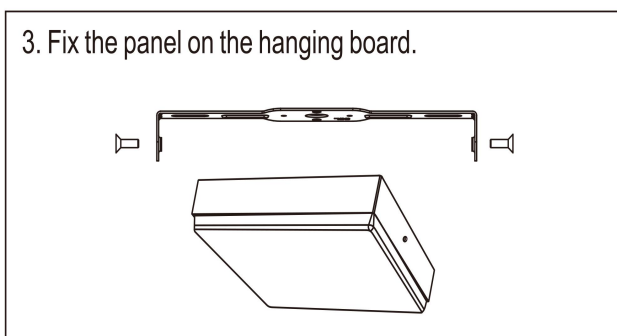
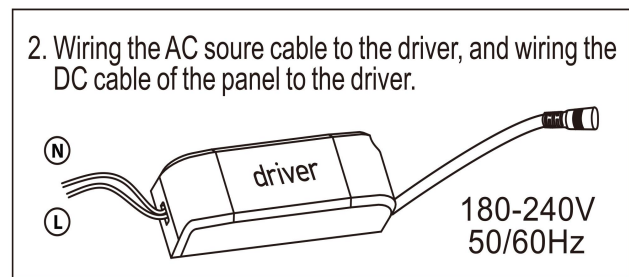
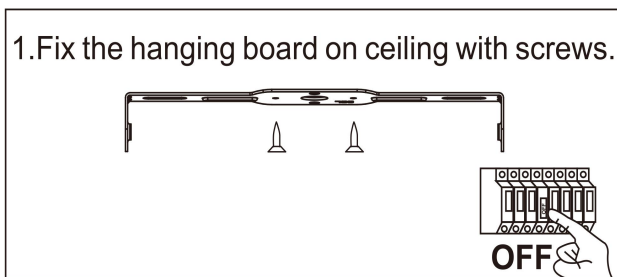
Certificates & Lifespan

Life (h)	50,000
Certificates	CB / ENEC /RoHS
Standards	ISO9001:2015

Logistical Data

Product code	Dimensions (L*W*H)	Pcs/ carton	G.W. kg	Volume CBM
HYD-122CS-15W	38*31*38.5 cm	20	...	0.04535

Installation Method



Disclaimer

Subject to change without notice. Errors and omission excepted. Always make sure to use the most recent release