

PRODUCT DATASHEET

Economic design Recessed mounted Downlight
HYD-240R-10W-3000K /4000K / 6000K



Application

- Commercial building
- Exhibition Hall
- Warehouse
- Hotel
- Office

Benefits

- Flicker free
- Economic and Elegant design
- Low lumen depreciation, saving Energy Up to 60% Compared to FL lamps
- Brand high efficiency LED chips Up To 100lm/w

Features

- Warranty 5 years
- Buckle design, easy and quick installation
- Drivers independently designed for the products reliability and durability
- Die-cast aluminum body for better heat dissipation, anti-corrosion, and easy maintain

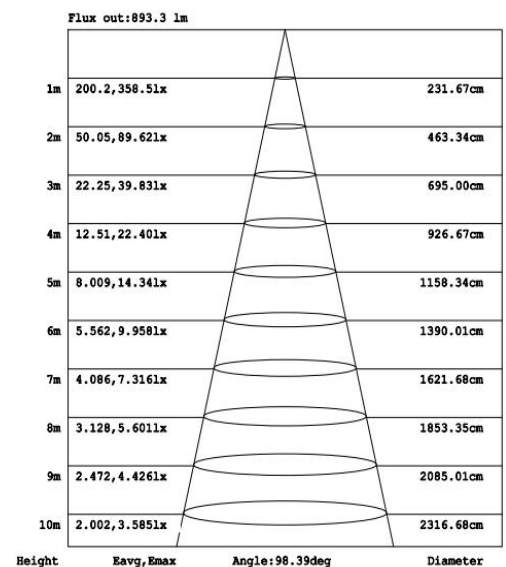
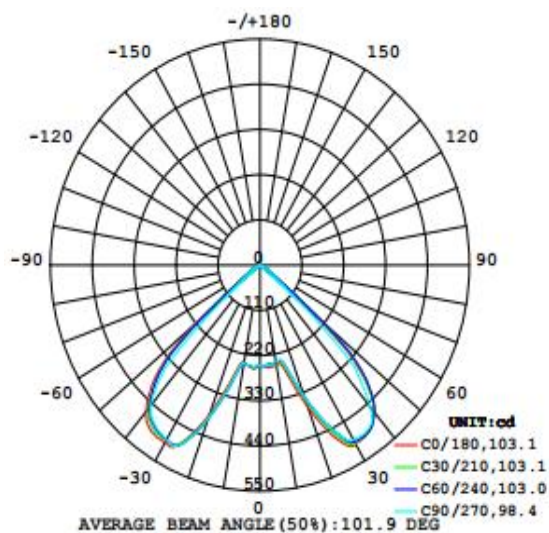
Electrical Data

Nominal wattage (W)	10W
Nominal Voltage (V)	220-240V
Mains Frequency (Hz)	50-60Hz
Nominal Current (mA)	0.1A Max
LED Driver Current (mA)	300mA
LED Driver Voltage (V)	30-42Vdc
LED Driver Efficiency (%)	83%
Power factor λ	0.5
Total harmonic distortion (%)	...
Operating mode	External LED driver

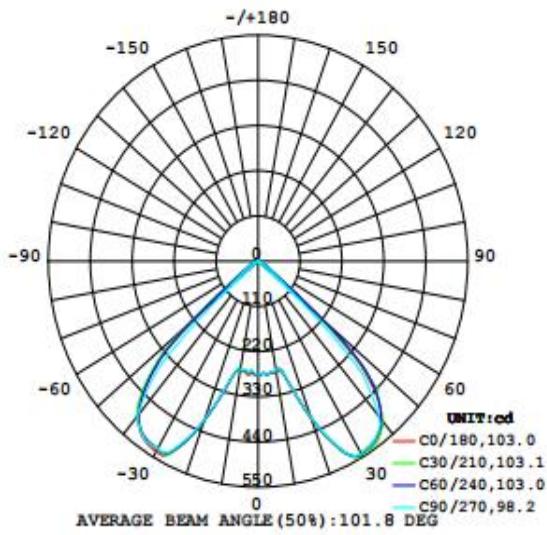
Photometrical data

Luminous flux $\pm 10\%$ (lm)	989	1076	1020
Luminous efficacy	95 lm/w	103 lm/w	95 lm/w
Color temperature	3000K	4000K	6000K
Light color (designation)	Warm White	Nature White	Cold White
Color rendering index Ra	≥ 80		
Standard deviation of color matching	≤ 5 SDCM		
Luminous intensity/cd	506	546	520
Flickering	Flicker free		
Beam angle	102°	102°	103°

3000K



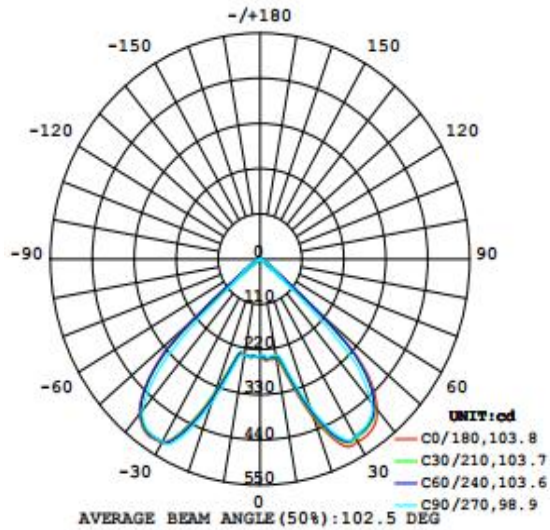
4000K



Flux out: 971.4 lm

Height	Eavg, Emax	Angle: 98.24deg	Diameter
1m	217.7, 378.0lx		231.06cm
2m	54.43, 94.49lx		462.11cm
3m	24.19, 42.00lx		693.17cm
4m	13.61, 23.62lx		924.22cm
5m	8.709, 15.12lx		1155.28cm
6m	6.048, 10.50lx		1386.34cm
7m	4.443, 7.713lx		1617.39cm
8m	3.402, 5.906lx		1848.45cm
9m	2.688, 4.666lx		2079.51cm
10m	2.177, 3.780lx		2310.56cm

6000K

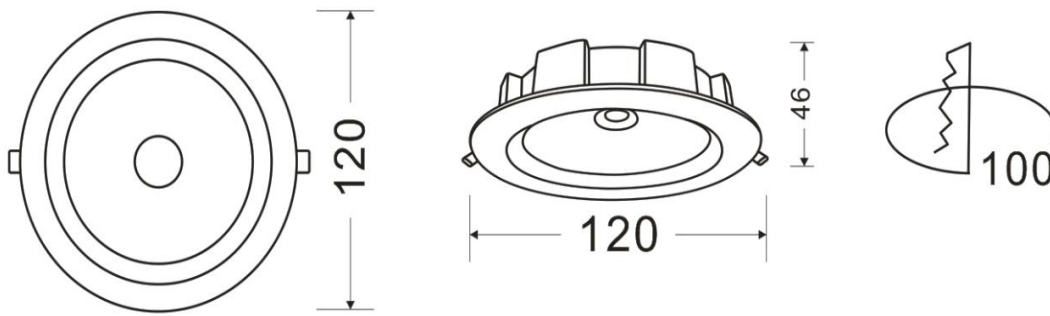


Flux out: 919.0 lm

Height	Eavg, Emax	Angle: 98.89deg	Diameter
1m	206.0, 368.6lx		233.72cm
2m	51.49, 92.15lx		467.44cm
3m	22.89, 40.95lx		701.17cm
4m	12.87, 23.04lx		934.89cm
5m	8.239, 14.74lx		1168.61cm
6m	5.721, 10.24lx		1402.33cm
7m	4.203, 7.522lx		1636.05cm
8m	3.218, 5.759lx		1869.77cm
9m	2.543, 4.550lx		2103.50cm
10m	2.060, 3.686lx		2337.22cm

Dimensions & Weight

Diameter (mm)	120
Height (mm)	46
Product weight (g)	263



Material & Colors

Product color	Black heat sink / White frame
Housing color	Black
Body material	Aluminum
LGP material	Transparent Glass
Mercury content	0.0 mg

Application & Mounting

Ambient temperature range	-10-45 °C
Temperature range at storage	-25-60 °C
Type of connection	Screwless terminal
Type of protection	IP20
Dimmable	No
Mounting type	Recesse mounted
Mounting location	Ceiling
Application environment	Indoor
Cut size (mm)	100
LED module replaceable	Not replaceable
With light source	Yes

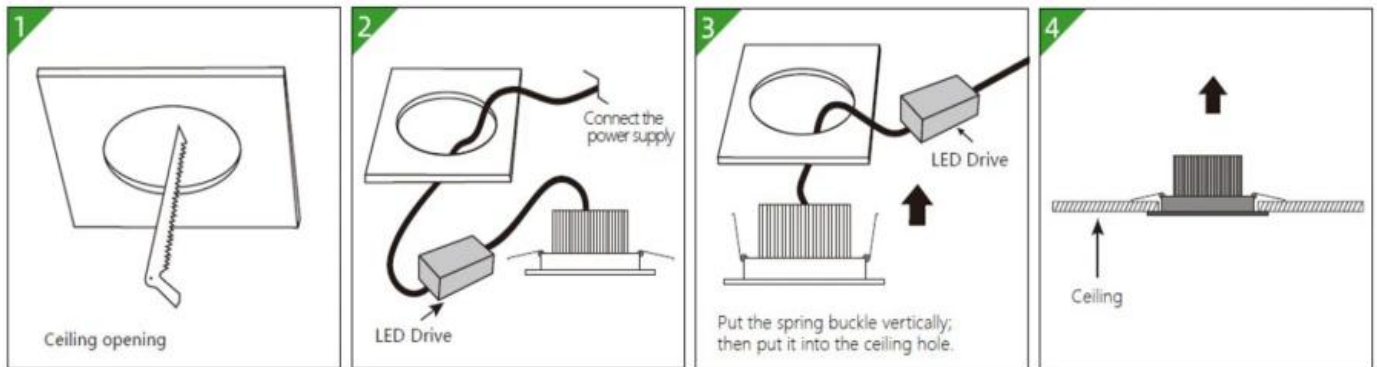
Certificates & Lifespan

Life (h)	50000
Number of switching cycles	25000
Certificates	CB CE LVD EMC
Standards	ISO9001:2015

Logistical Data

Product code	Dimensions (L*W*H)	Pcs/ carton	G.W. kg	Volume CBM
HYD-240R-10W	64.5*29.5*30.5 cm	50	/	0.05803

Installation Method



Disclaimer

Subject to change without notice. Errors and omission excepted. Always make sure to use the most recent release.