

PRODUCT DATASHEET

Black lamp cup, enhanced anti-glare, Led spot light
HYD-342BS-7W*3 4000K



Application

- Home
 - Restaurant
 - Exhibition Hall
 - Stage
 - Conference Room
 - Clothing Store
-

Benefits

- Flicker free
 - It can be used for emphasis lighting and decorative lighting
 - Spot light have prominent advantages in commercial lighting
 - No secondary light spot, it can create a wall washing effect
-

Features

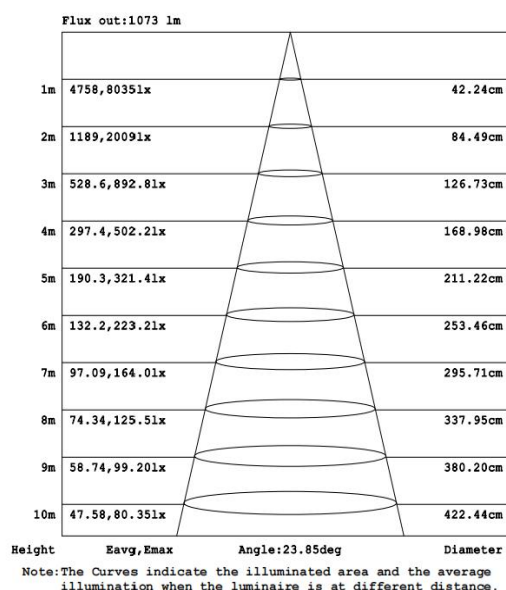
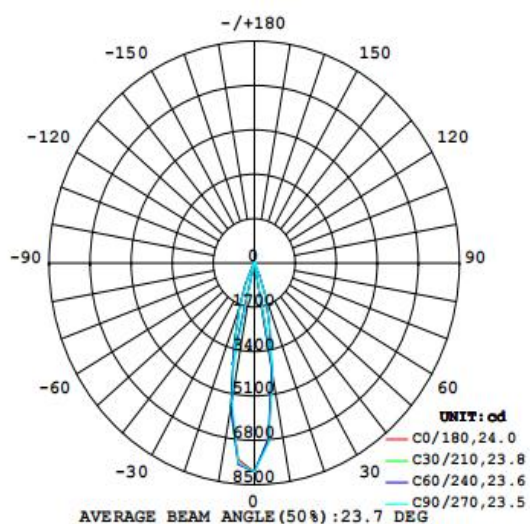
- Warranty 5 years
 - PC, Good light transmission
 - Small size, light weight, buckle design, easy to install
 - Die-cast aluminum, good heat dissipation, reduce light decay
-

Electrical Data

| | |
|-------------------------------|---------------------|
| Nominal wattage (W) | 7W*3 |
| Nominal Voltage (V) | 220-240 V |
| Mains Frequency (Hz) | 50 |
| Nominal Current (mA) | 183 |
| LED Driver Current (mA) | 300 |
| LED Driver Voltage (VDC) | 15-24 |
| LED Driver Efficiency (%) | 80% |
| Power Factor λ | 0.5 |
| Total harmonic distortion (%) | ... |
| Operating mode | External LED driver |

Photometrical data

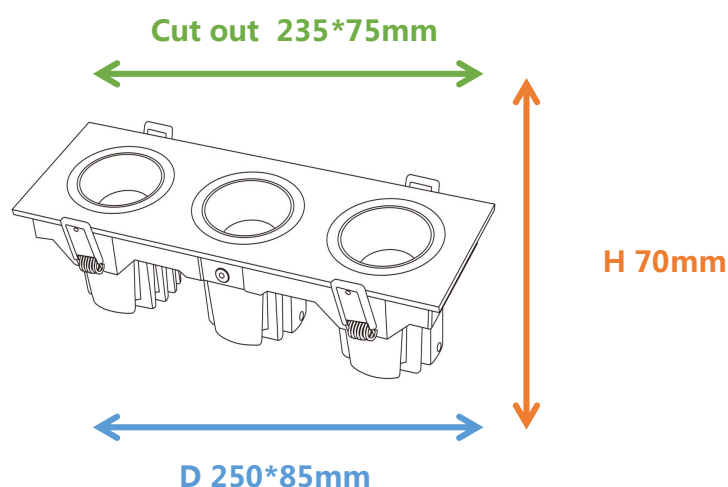
| | |
|--------------------------------------|---------------|
| Luminous flux $\pm 10\%$ (lm) | 1830 lm |
| Luminous efficacy | 82 lm/w |
| Color temperature | 4000K |
| Light color (designation) | Natural White |
| Color rendering index Ra | ≥ 80 |
| Standard deviation of color matching | ≤ 5 SDCM |
| Luminous intensity/cd | 8001 |
| Flickering | Flicker free |
| Beam angle | 24 ° |



4000K

Dimensions & Weight

| | |
|---------------------------------------|--------|
| Diameter (mm) | 250*85 |
| Height (mm) | 70 |
| Product weight (g)/No driver included | 718 |



Material & Colors

| | |
|-----------------|--------------------------------|
| Product color | Black Lamp cup / White Housing |
| Housing color | White |
| Body material | Aluminum |
| Cover material | PC |
| Mercury content | 0.0 mg |

Application & Mounting

| | |
|------------------------------|--------------------|
| Ambient temperature range | -20°C~+45 °C |
| Temperature range at storage | -20°C~+60 °C |
| Type of connection | Screwless terminal |
| Type of protection | IP20 |
| Dimmable | No |
| Mounting type | Recessed |
| Mounting location | Ceiling |
| Application environment | Indoor |
| Cut size (mm) | 235*75 mm |
| LED module replaceable | Not replaceable |
| With light source | Yes |

Certificates & Lifespan

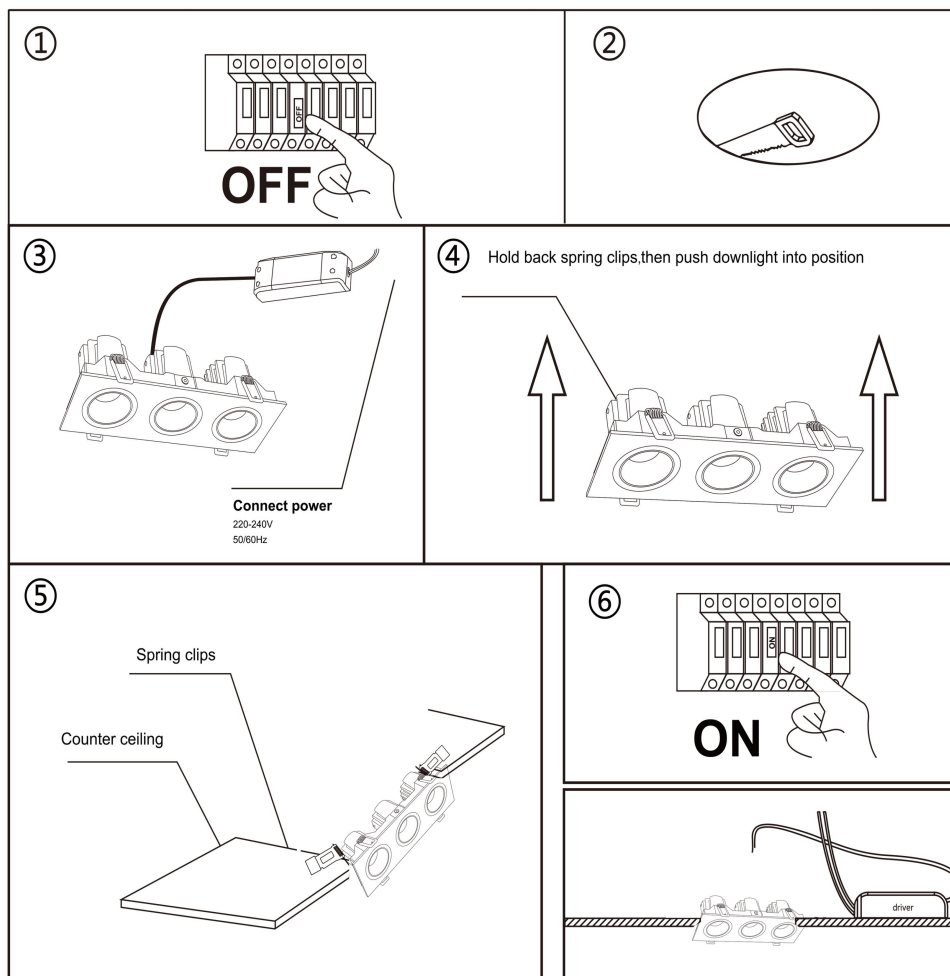
| | |
|--------------|---------------|
| Life (h) | 50,000 |
| Certificates | CB CE LVD EMC |
| Standards | ISO9001:2015 |

Logistical Data

| Product code | Dimensions (L*W*H) | Pcs/ carton | G.W. kg | Volume CBM |
|----------------|--------------------|-------------|---------|------------|
| HYD-342BS-7W*3 | ... | ... | ... | ... |

This is the estimated data. Subject to the actual shipment.

Installation Method



Disclaimer

Subject to change without notice. Errors and omission excepted. Always make sure to use the most recent release.