

PRODUCT DATASHEET

Enhanced anti-glare, Led spot light
HYD-343S-7W 4000K



Application

- Home
- Restaurant
- Exhibition Hall
- Stage
- Conference Room
- Clothing Store

Benefits

- Flicker free
- It can be used for emphasis lighting and decorative lighting
- Spot light have prominent advantages in commercial lighting
- No secondary light spot, it can create a wall washing effect

Features

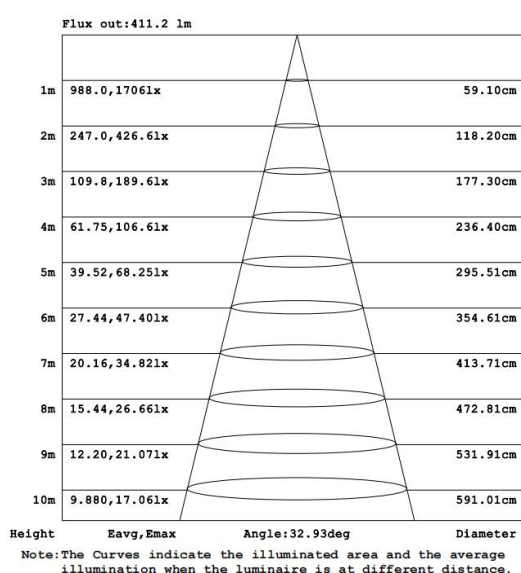
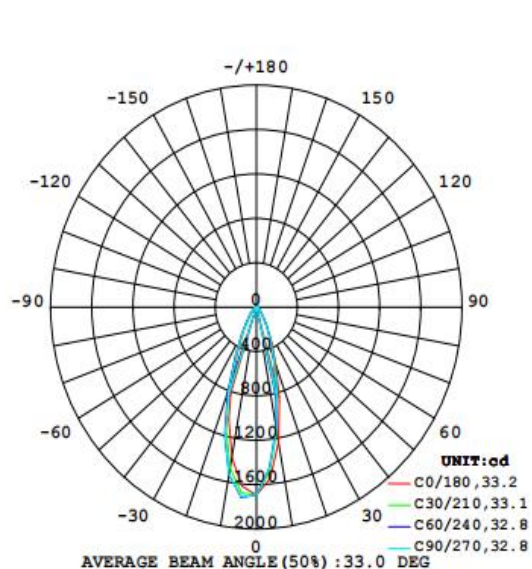
- Warranty 5 years
- PC, Good light transmission
- Small size, light weight, buckle design, easy to install
- Die-cast aluminum, good heat dissipation, reduce light decay

Electrical Data

Nominal wattage (W)	7W
Nominal Voltage (V)	220-240 V
Mains Frequency (Hz)	50
Nominal Current (mA)	60
LED Driver Current (mA)	300
LED Driver Voltage (VDC)	15-24
LED Driver Efficiency (%)	80%
Power Factor λ	0.5C
Total harmonic distortion (%)	...
Operating mode	External LED driver

Photometrical data

Luminous flux $\pm 10\%$ (lm)	793 lm
Luminous efficacy	109 lm/w
Color temperature	4000K
Light color (designation)	Natural White
Color rendering index Ra	≥ 80
Standard deviation of color matching	≤ 5 SDCM
Luminous intensity/cd	1719
Flickering	Flicker free
Beam angle	33 °



Flux out:411.2 lm

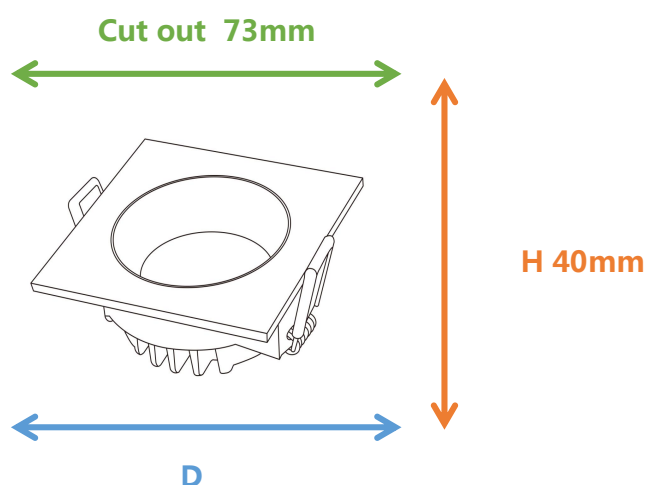
Height	Eavg, Emax	Diameter
1m	988.0, 17061x	59.10cm
2m	247.0, 426.61x	118.20cm
3m	109.8, 189.61x	177.30cm
4m	61.75, 106.61x	236.40cm
5m	39.52, 68.251x	295.51cm
6m	27.44, 47.401x	354.61cm
7m	20.16, 34.821x	413.71cm
8m	15.44, 26.661x	472.81cm
9m	12.20, 21.071x	531.91cm
10m	9.880, 17.061x	591.01cm

Note: The Curves indicate the illuminated area and the average illumination when the luminaire is at different distance.

4000K

Dimensions & Weight

Diameter (mm)	85*85
Height (mm)	40
Product weight (g) / Housing	161



Material & Colors

Product color	White
Housing color	White
Body material	Aluminum
Cover material	PC
Mercury content	0.0 mg

Application & Mounting

Ambient temperature range	-20°C~+45 °C
Temperature range at storage	-20°C~+60 °C
Type of connection	Screwless terminal
Type of protection	IP20
Dimmable	No
Mounting type	Recessed
Mounting location	Ceiling
Application environment	Indoor
Cut size (mm)	73
LED module replaceable	Not replaceable
With light source	Yes

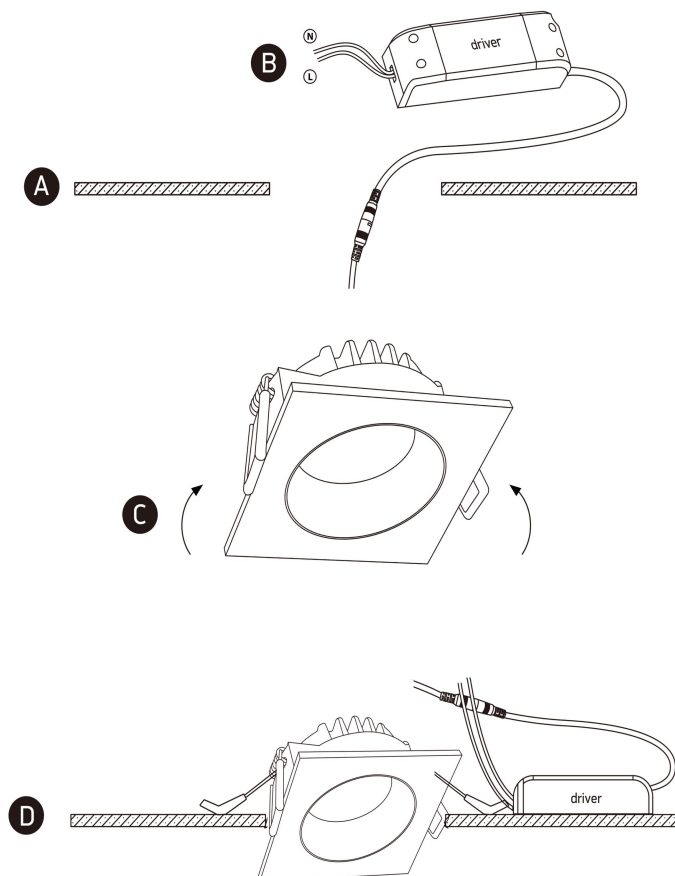
Certificates & Lifespan

Life (h)	50,000
Certificates	CB CE LVD EMC
Standards	ISO9001:2015

Logistical Data

Product code	Dimensions (L*W*H)	Pcs/ carton	G.W. kg	Volume CBM
HYD-343S-7W

Installation Method



Disclaimer

Subject to change without notice. Errors and omission excepted. Always make sure to use the most recent release.