

PRODUCT DATASHEET

IP65 Seiko aluminum - Street Light HYD-512-50W 6500K



Application

- Factory
- warehouse
- stadium
- Packing lots
- the farmer's market

Benefits

- Flicker free.
- 90 degree focus to expand the irradiation range
- Protection against water & dust, IP65
- High light efficiency, to meet the needs of large factories of light, reduce workers in the production of errors

Features

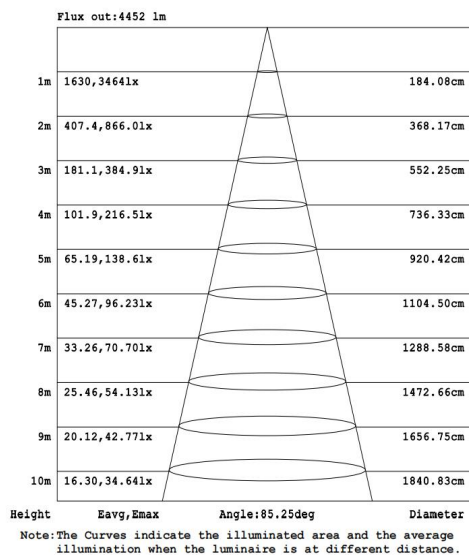
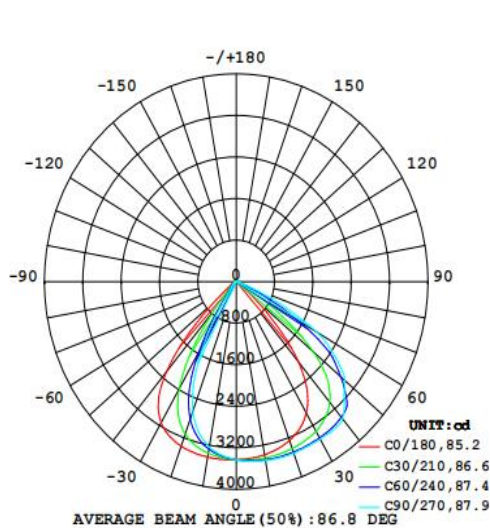
- Clear Glass Lenses
- Warranty 5 years
- 6000K color temperature, suitable for people's visual feelings
- Aluminum thick, good heat dissipation performance and prolong service life

Electrical Data

| | |
|-------------------------------|---------------------|
| Nominal wattage (W) | 50W |
| Nominal Voltage (V) | 100-227 V |
| Mains Frequency (Hz) | 50/60 Hz |
| Nominal Current (mA) | 236 |
| LED Driver Current (mA) | 950 |
| LED Driver Voltage (Vdc) | 24-50 |
| LED Driver Efficiency (%) | ... |
| Power Factor λ | 0.9 |
| Total harmonic distortion (%) | ... |
| Operating mode | Built in LED driver |

Photometrical data

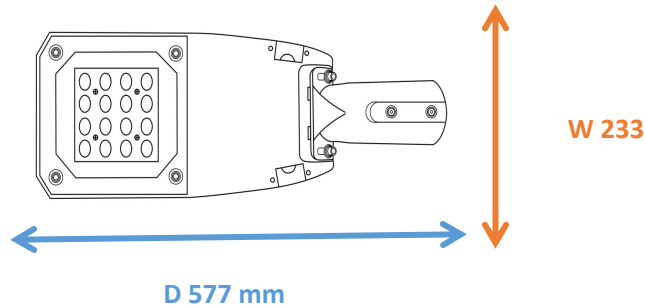
| | |
|--------------------------------------|--------------|
| Luminous flux ±10% (lm) | 6382 lm |
| Luminous efficacy | 127 lm/w |
| Color temperature | 6500K |
| Light color (designation) | Cold White |
| Color rendering index Ra | ≥80 |
| Standard deviation of color matching | ≤5 SDCM |
| Luminous intensity/cd | 3518 |
| Flickering | Flicker free |
| Beam angle | 87° |



6500K

Dimensions & Weight

| | |
|--------------------|---------|
| Diameter (mm) | 577*233 |
| Height (mm) | 103 |
| Product weight (g) | 3988 |



Material & Colors

| | |
|-----------------|---|
| Product color | Gray heat sink / Gray frame/Clear Glass |
| Housing color | Gray |
| Body material | Aluminum |
| Cover material | Glass |
| Mercury content | 0.0 mg |

Application & Mounting

| | |
|------------------------------|---------------------------|
| Ambient temperature range | -40°C - +55 °C |
| Temperature range at storage | -40°C - +85 °C |
| Type of connection | Screw terminal |
| Type of protection | IP65 |
| Dimmable | No |
| Mounting type | Surface mounted/Suspended |
| Mounting location | Ceiling |
| Application environment | Indoor/Outdoor |
| Cut size (mm) | No |
| LED module replaceable | Not replaceable |
| With light source | Yes |

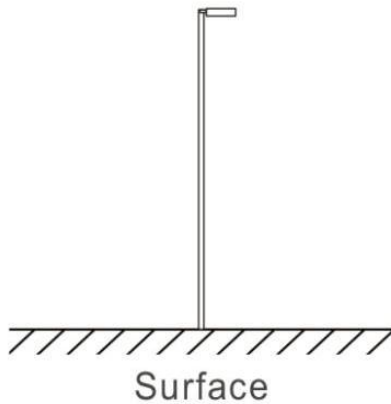
Certificates & Lifespan

| | |
|--------------|---------------|
| Life (h) | 50,000 |
| Certificates | CB CE LVD EMC |
| Standards | ISO9001:2015 |

Logistical Data

| Product code | Dimensions (L*W*H) | Pcs/ carton | G.W. kg | Volume CBM |
|--------------|--------------------|-------------|---------|------------------------|
| HYD-512-50W | 63*28*16.5cm | 1 | ... | 0.02911 m ³ |

Installation Method



Disclaimer

Subject to change without notice. Errors and omission excepted. Always make sure to use the most recent release.