

## PRODUCT DATASHEET

**LAWN LIGHT**  
**HYD-L01-C-5W 3000K**



---

### Application

- Courtyard
- Plaza
- Park
- Pedestrian street
- Meadow

---

### Benefits

- energy saving and environmental protection
- Low power, high light efficiency
- IP65 is water and dust resistant to harsh environment
- Lawn lights decorate the outdoor space to enhance high outdoor comfort

---

### Features

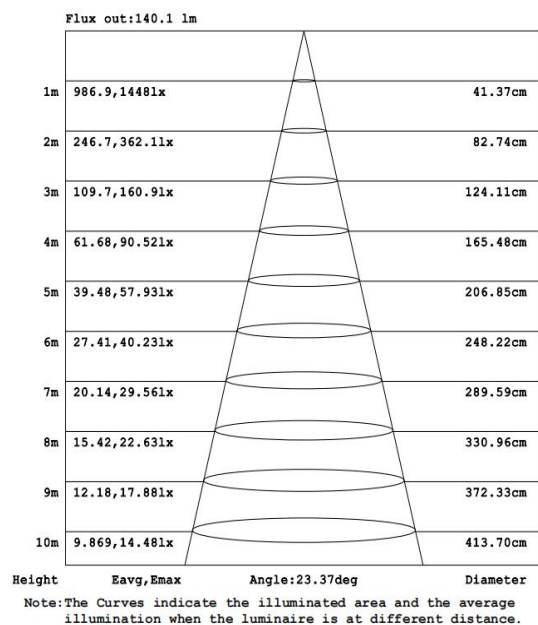
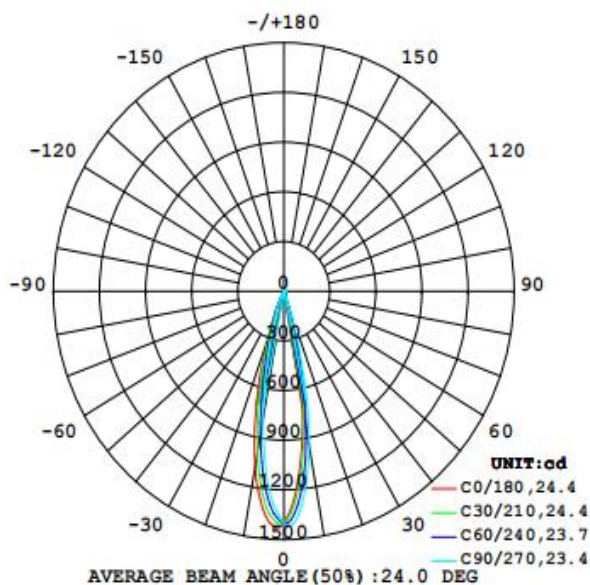
- Seiko aluminum, rust and corrosion resistant
- The lighting facilities around the lawn are important landscape facilities, and the installation method is also simple
- High light transmission mask ensures uniform light and reduces the lighting environment in dark areas

## Electrical Data

Nominal wattage (W)	<b>5W</b>
Nominal Voltage (V)	220-240V
Mains Frequency (Hz)	50
Nominal Current (mA)	60
LED Driver Current (mA)	260
LED Driver Voltage (VDC)	10-20V
LED Driver Efficiency (%)	75%
Power Factor $\lambda$	0.5
Total harmonic distortion (%)	<1%
Operating mode	Built in

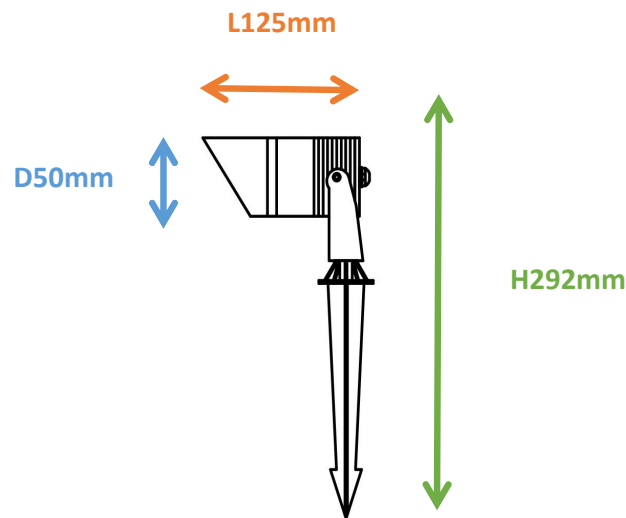
## Photometrical data

Luminous flux $\pm 10\%$ (lm)	267 lm
Luminous efficacy	46 lm/w
Color temperature	<b>3000K</b>
Light color (designation)	Warm White
Color rendering index Ra	$\geq 80$
Standard deviation of color matching	$\leq 5$ SDCM
Luminous intensity/cd	1445
Flickering	Flicker free
Beam angle	24 °



## Dimensions & Weight

Diameter (mm)/A&B	50*125
Height (mm)/C	292
Product weight (g)	...



## Material & Colors

Product color	Black
Housing color	Black
Body material	Aluminum
Cover material	Glass
Mercury content	0.0 mg

## Application & Mounting

Ambient temperature range	-10°C~+40 °C
Temperature range at storage	-10°C~+40 °C
Type of connection	Screw terminal
Type of protection	IP65
Dimmable	No
Mounting type	Recessed
Mounting location	underground
Application environment	Outdoor
Cut size (mm)	No
LED module replaceable	Not replaceable
With light source	Yes

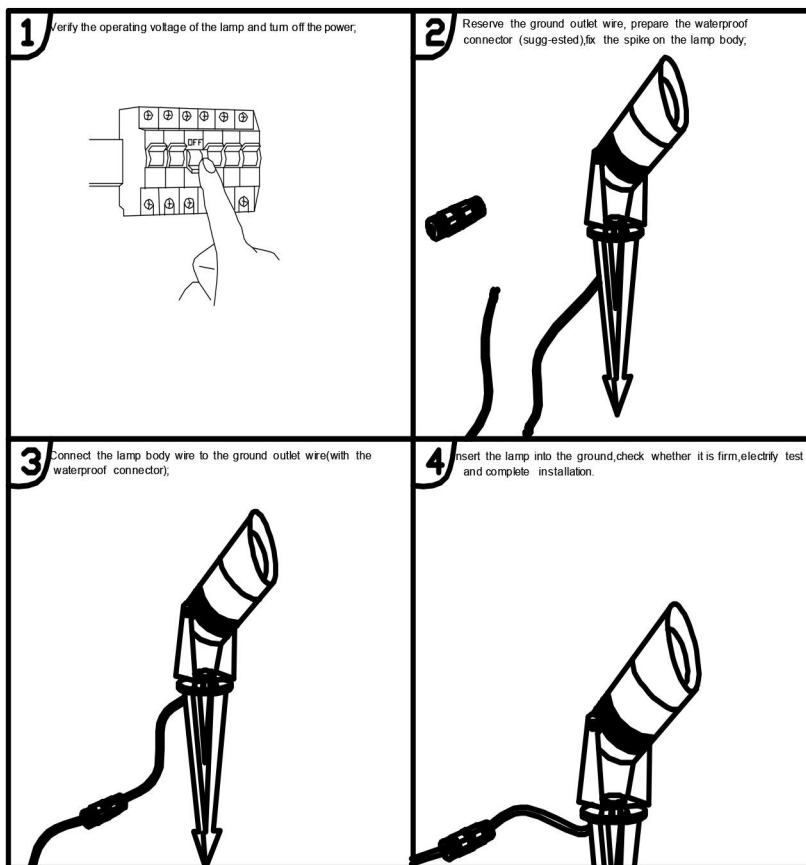
## Certificates & Lifespan

Life (h)	30,000
Certificates	CB LVD EMC RoHS
Standards	ISO9001:2015

## Logistical Data

Product code	Dimensions (L*W*H)	Pcs/ carton	G.W. kg	Volume CBM
HYD-L01-C-5W	43*38*24 cm	20	...	0.03922

## Installation Method



## Disclaimer

Subject to change without notice. Errors and omission excepted. Always make sure to use the most recent release