

## PRODUCT DATASHEET

**LAWN LIGHT**  
**HYD-L04-C7-50W 3000K**



---

### Application

- Courtyard
- Plaza
- Park
- Pedestrian street
- Meadow

---

### Benefits

- energy saving and environmental protection
- Low power, high light efficiency
- IP54 is water and dust resistant to harsh environment
- Lawn lights decorate the outdoor space to enhance high outdoor comfort

---

### Features

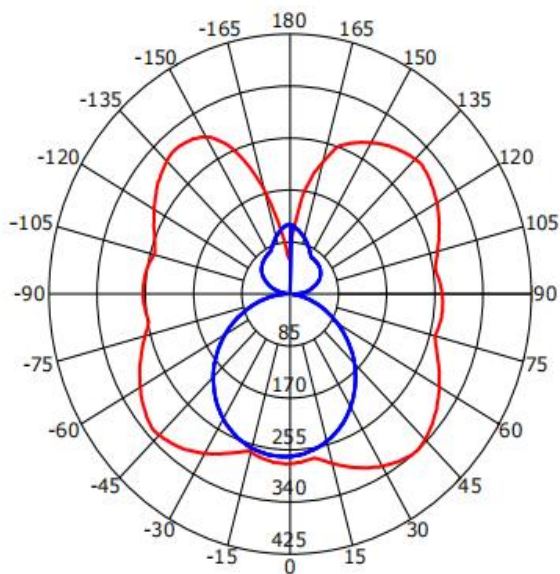
- Seiko aluminum, rust and corrosion resistant
- The lighting facilities around the lawn are important landscape facilities, and the installation method is also simple
- High light transmission mask ensures uniform light and reduces the lighting environment in dark areas

## Electrical Data

Nominal wattage (W)	<b>50W</b>
Nominal Voltage (V)	220-240V
Mains Frequency (Hz)	50
Nominal Current (mA)	366
Power Factor $\lambda$	0.6
Total harmonic distortion (%)	...
Operating mode	Built in

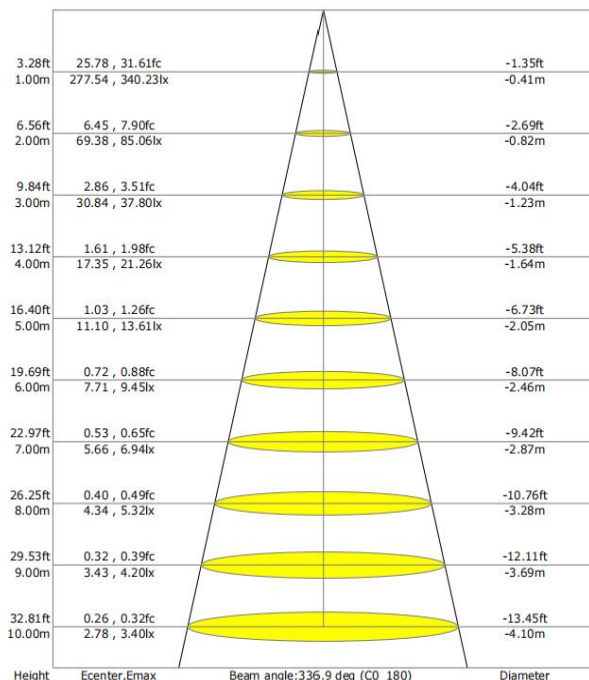
## Photometrical data

Luminous flux $\pm 10\%$ (lm)	2487 lm
Luminous efficacy	50 lm/w
Color temperature	<b>3000K</b>
Light color (designation)	Warm White
Color rendering index Ra	$\geq 80$
Standard deviation of color matching	$\leq 5$ SDCM
Luminous intensity/cd	340
Flickering	Flicker free
Beam angle	C0-180,C90-270 : 337 °,111 °



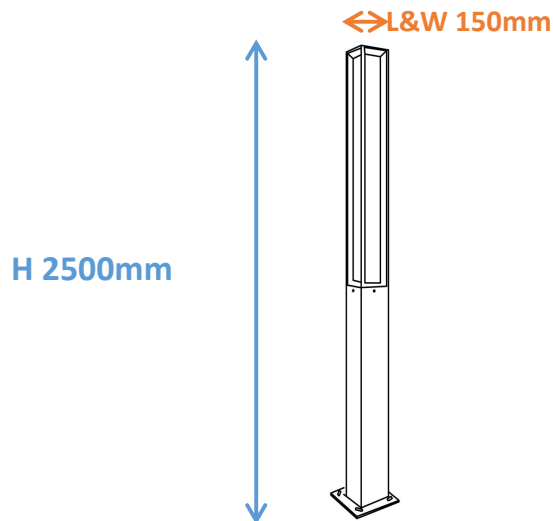
Beam Angle(50%) C0-180,C90-270: 336.9 deg,111.4 deg

C0-180 — C90-270



## Dimensions & Weight

Length&Width (mm)	150*150
Height (mm)	2500
Product weight (g)	...



## Material & Colors

Product color	Black housing&White LGP
Housing color	Black
Body material	Aluminum
Cover material	PC
Mercury content	0.0 mg

## Application & Mounting

Ambient temperature range	-10°C~+40 °C
Temperature range at storage	-10°C~+40 °C
Type of connection	Screw terminal
Type of protection	IP54
Dimmable	No
Mounting type	Surface mounted
Mounting location	Ground/Lawn
Application environment	Outdoor
Cut size (mm)	No
LED module replaceable	Not replaceable
With light source	Yes

## Certificates & Lifespan

Life (h)	30,000
Certificates	CB LVD EMC RoHS
Standards	ISO9001:2015

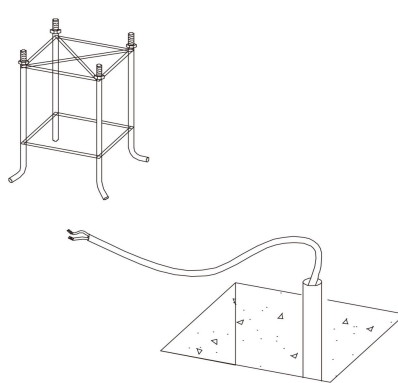
## Logistical Data

Product code	Dimensions (L*W*H)	Pcs/ carton	G.W. kg	Volume CBM
HYD-L04-C7-50W	17*17*252 cm	1	...	0.07283

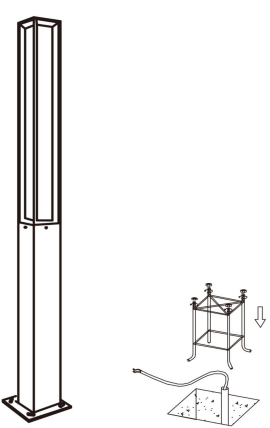
Wooden package

## Installation Method

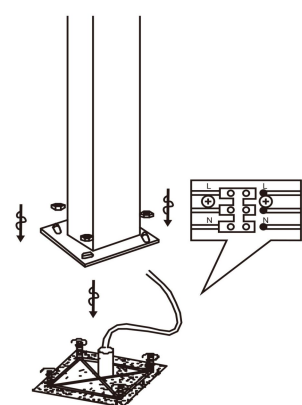
**1** Dig a hole in the installation place suitable for the size of the embedded cage, reserve the outgoing wire, and turn off the power;




**2** Loosen the nuts at the top of the embedded cage, place the embedded cage in the hole, and fill with concrete to air dry;



**3** Connect the lamp body wire and the ground outgoing wire, the lamp base hole corresponding to the embedded cage installation bracket, fixed with nuts;



**4** Check whether it is flat and firm and complete the installation.



## Disclaimer

Subject to change without notice. Errors and omission excepted. Always make sure to use the most recent release